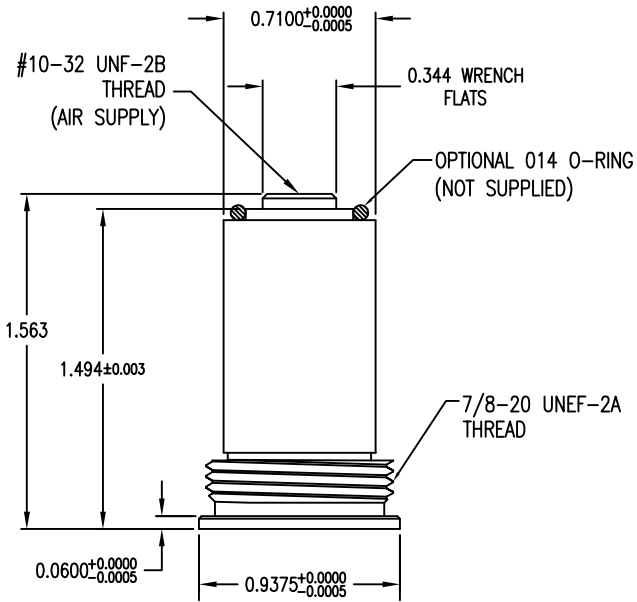


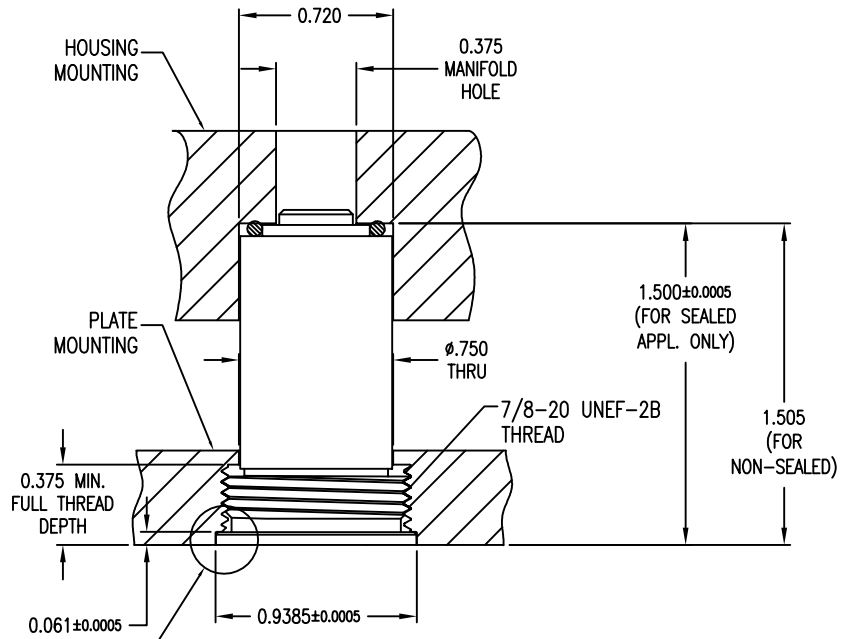
MICRO CYLINDER LOCK-STANDARD

CAT#PD250X3

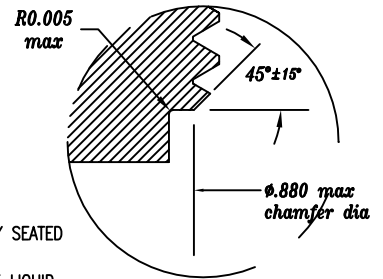
CYLINDER



INSTALLATION



Detail A

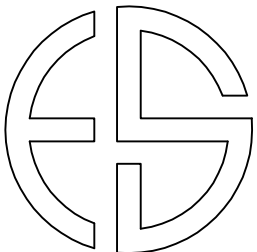


INSTALLATION NOTES:

- 1) TIGHTEN WITH INSTALLATION TOOL (PDIT250) UNTIL FULLY SEATED FLUSH OR BELOW SURFACE.
- 2) LOCTITE CYLINDER INTO CUSTOMER PLATE USING LOCTITE LIQUID THREADLOCKER OR SIMILAR PRODUCT.

Detail A
Scale 4:1

TOLERANCE UNLESS OTHERWISE NOTED:	
FRACTION	± 1/32
X.XX	± 0.01
X.XXX	± 0.005
ANGULAR	± 1/2°



EDWARD D. SEGEN & CO, LLC

100 ENTERPRISE DRIVE, FT. LORAMIE, OH, 45845

PH. 937.295.2281 FAX 937.295.3677

WWW.SEGEN-ONLINE.COM

THE INFORMATION CONTAINED HEREIN MAY BE THE SUBJECT OF PENDING OR CONTEMPLATED PATENTS, AND IS FURNISHED WITHOUT PREJUDICE TO THE PATENT RIGHTS OF EDWARD D. SEGEN & CO, LLC